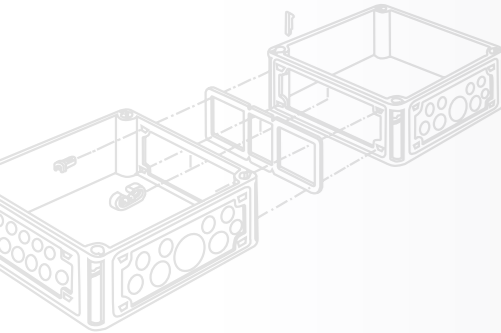


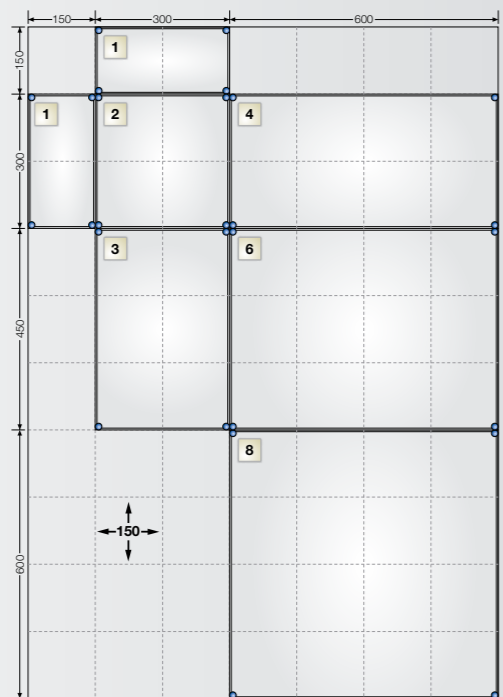
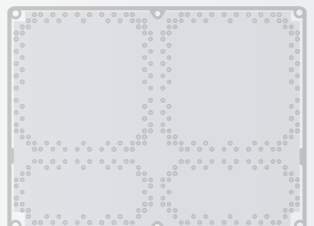
### Modular enclosure system

to built up power switchgear and controlgear assemblies (PSC) up to 630 A according to IEC 61439-2



#### Combinable in all directions

- Six box sizes can be combined in all directions and can also be used as an individual box.
- New enclosure size 6 (600 x 450 mm): Due to an enlarged terminal compartment directly in the housing, some electrical functions can be installed more economical.
- An additional enclosure for wiring is not necessary.
- The combinable system is ideally for the fast and simple assembly up to 630 A



### High quality material

for demanding applications

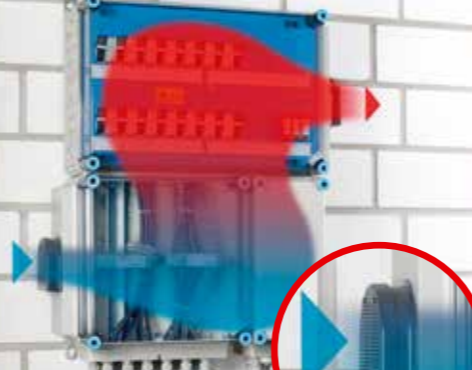
- Flame-retardant, self-extinguishing burning behaviour: Glow wire test 960° C according to IEC 60 695-2-11
- UV resistant



- Robust and resistant: Mi distribution boards are resistant to dust and water and withstand the harshest conditions



- Safe even in the most extreme weather conditions outdoors, e.g., with a canopy.



- Ventilation facilities to reduce the formation of condensation



- Cover strips cover the equipment openings from accidental contact.



- Protection covers for operating devices and bus-mounted devices for protection against contact



- Protection class II, □ (Total insulation)
- Appropriate accessories and enclosures with removable DIN rail rack and earth connection allow to build up distribution boards in protection class I (earthed).

### Connection-ready solutions

for special applications



- Main line distribution boards



- Changeover switch boxes (I-0-II) reliably switch to backup power sources
- Inverter collector
- Connection of generation facilities



### Easy and flexible

during assembly, connection and installation



- Removable box fin to insert cables via two boxes or a simpler wiring



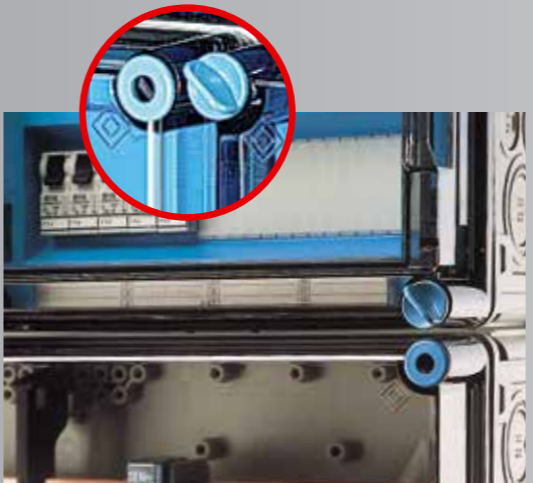
- The cable insert allows inserting cables from the front.



- External brackets or mounting profiles for wall fastening

### Always the suitable locking system

for access and operation areas



- Depending on the electrical function operate the cover manually (for unskilled persons) or with tools (for skilled persons)



- Lid lock prevents unauthorised opening of cover



- A hinged lid for simple operation of equipment.

### Combinable solutions

for the self-assembly of distribution boards up to 630 A



- Individual box with electrical functions ...



- ... can be built individually by the electrician for a distribution board.

## Configurator ENYGUIDE

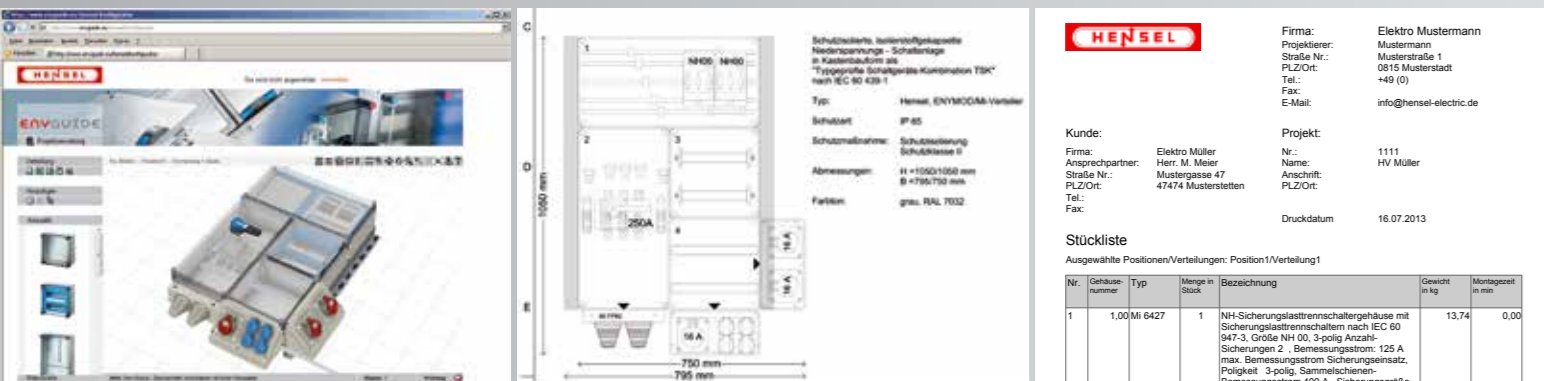
supports design and project engineering of Mi distribution boards

The intuitively usable 3D planning tool supports electricians, electrical engineers and wholesalers during design, project engineering and ordering of Mi distribution boards.

- Data export of the installation layout in a dxf-format, the parts list in either a ASCII or Excel format.
- Testing of the mechanical assembly incl. automatically necessary supplements, e.g., box walls, busbar connectors etc.
- Different layers with the projection of assemblies, covers and doors, e.g., behind protection covers

## ENYGUIDE

Online via the Internet at [www.enyguide.eu](http://www.enyguide.eu) or offline on CD-ROM.



- Comfortable project engineering with the configurator in 3D.
- Generation of the layout for electricians.
- Automatic creation of the parts and order list.



PASSION FOR POWER.

**Hensel Electric UK LTD.**  
Industrial Electrical Power Distribution Systems

Ground Floor  
Unit 5  
Anglo Office Park  
Lincoln Road  
High Wycombe  
HP12 3FU  
United Kingdom

Phone: 03450 66 00 55  
Fax: 03450 66 00 56

sales@hensel-electric.co.uk  
www.hensel-electric.co.uk



[www.hensel-electric.co.uk](http://www.hensel-electric.co.uk)

## Representations abroad

- |  |   |   |   |  |   |  |
|--|---|---|---|--|---|--|
| <b>Africa</b><br>Angola<br>Egypt<br>Mozambique<br>Republic of Mauritius<br>South Africa<br><b>America</b><br>USA | <b>Asia</b><br>Bangladesh<br>Bhutan<br>China<br>India<br>Indonesia<br>Japan<br>Kazakhstan<br>Maldives | Myanmar<br>Pakistan<br>Philippines<br>Singapore<br>Sri Lanka<br>Taiwan<br>Thailand<br>Vietnam | <b>Europe</b><br>Albania<br>Austria<br>Belgium<br>Bosnia-Herzegovina<br>Croatia<br>Czech Republic<br>Denmark<br>Estonia<br>Finland<br>France<br>Great Britain<br>Hungary<br>Iceland<br>Ireland<br>Israel<br>Italy | Latvia<br>Lithuania<br>Luxembourg<br>Macedonia<br>Montenegro<br>Netherlands<br>Norway<br>Poland<br>Portugal<br>Romania<br>Russia | Serbia<br>Slovakia<br>Slovenia<br>Spain<br>Sweden<br>Switzerland<br>Turkey<br>Ukraine | <b>Middle East</b><br>United Arab Emirates<br>Bahrain<br>Iran<br>Kuwait<br>Oman<br>Qatar<br>Saudi Arabia<br><b>Oceania</b><br>Australia<br>New Zealand |
|--|---|---|---|--|---|--|



98 17 0851 03.17/3/11



PASSION FOR POWER.

## Safe, even in extreme environments!

Mi Power distribution boards up to 630 A



More information at [www.hensel-electric.co.uk](http://www.hensel-electric.co.uk)

ENYMOD

## Combinable system

for the assembly of power switchgear and controlgear assemblies (PSC) up to 630 A



- According to IEC 61 439-2
- Power distribution board up to 630 A as power switchgear and controlgear assembly (PSC)
- Degree of protection IP 65
- Protection class II, 0
- EMC compliant busbar system
- Certified by ASTA
- Suitable for indoor installation and outdoor installation, protected against weather influences
- Pre-assembled enclosures with standardised kits up to 630 A
- Proven in commercial buildings in rough industrial atmospheres and difficult environments.



- Safe even in extreme environments such as dust, dirt, humidity and in harsh industrial environments.
- For protected installation outdoors, here e.g., with canopy

